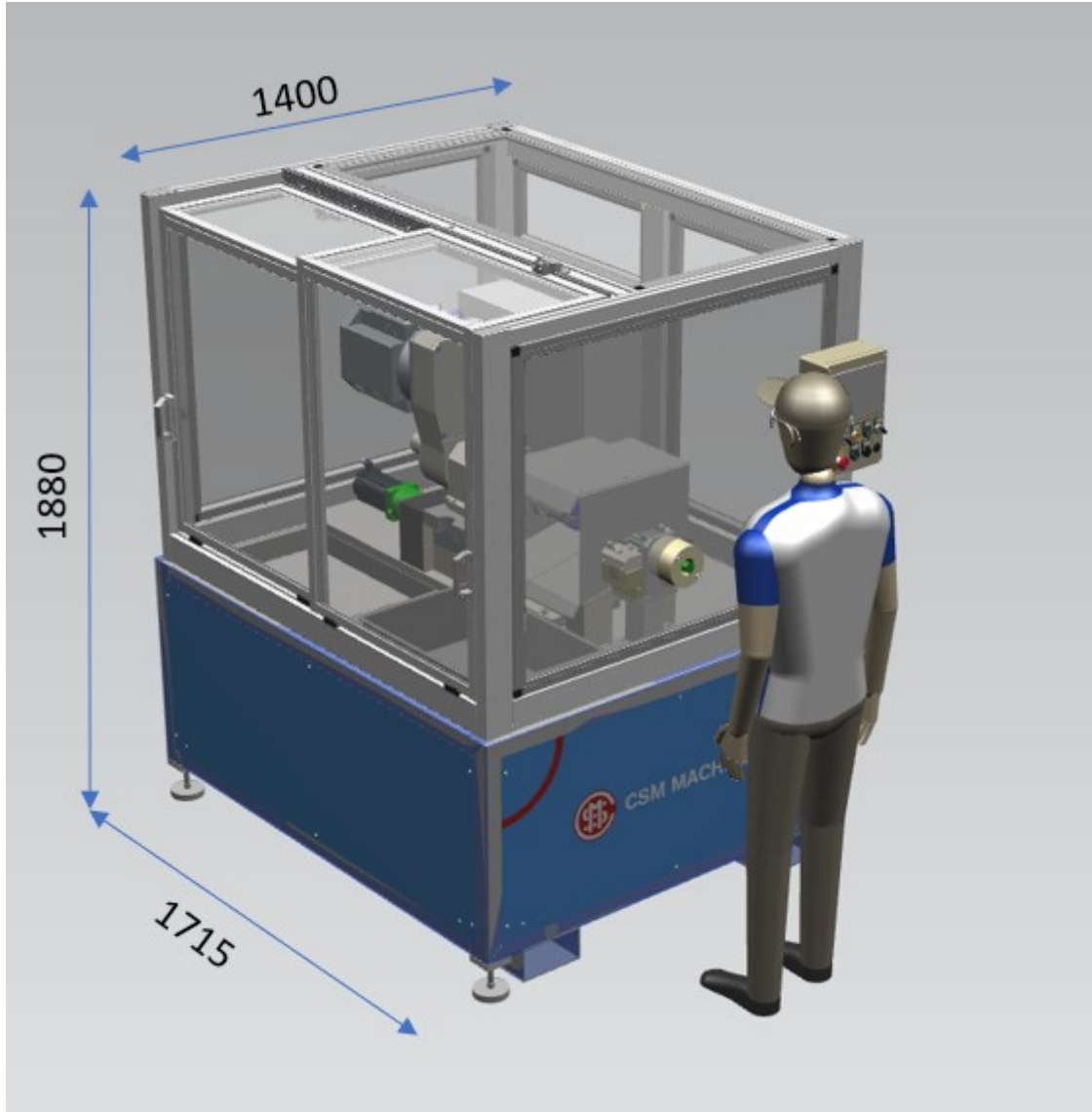


## TRIM MACHINE



The Single End Trim Machine is a hand-loaded unit that clamps the element and then strips back the MgO and the tubular sheath to expose the predetermined terminal pin length. It trims one end of the element at a time, and the trimmed elements are then manually removed from the machine.

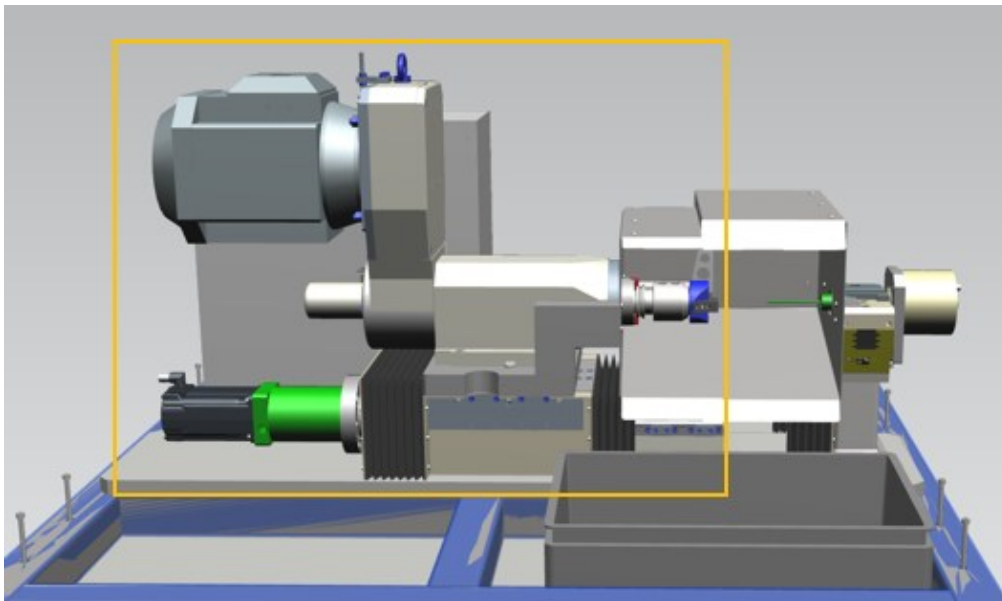
## ADVANTAGES

- Inexpensive end finishing
- Adjustable feed rate
- Simple adjustment for both element and trim length
- Variable cutter speed
- Special design cutter head provides for fast and simple setup
- Flexible for different diameters and sheath materials

## CHARACTERISTICS

The Single End Trim Machine is designed as a hand loaded unit that clamps the elements and strips back the MgO and the tubular sheath to expose the predetermined terminal pin length. It trims one end of the element at a time, and the elements are removed manually from the machine.

This unit is intended for medium to small production levels but is very versatile and can easily be changed for different element diameters, materials, or lengths. Production will vary according to the length of the sheath to be removed and by operator efficiency.



The Double End Trim Machine is similar in operation, but it is designed to trim both ends of the element simultaneously. This unit is in-fact intended for higher production rate.

## AVAILABLE VERSIONS

<b>SINGLE END VERSION</b>	Up to 16 mm (.630")
<b>SINGLE END MAX VERSION</b>	Up to 31,75 mm (1.25")
<b>DOUBLE END VERSION</b>	Up to 16 mm (.630")
<b>DOUBLE END MAX VERSION</b>	Up to 31,75 mm (1.25")

**TECHNICAL FEATURES**

	<b>SINGLE END</b>
Length	1715 mm (5.6 ft.)
Width	1400 mm (4.6 ft.)
Height	1880 mm (6 ft.)
Weight	250 kg (550 lbs)
Electric Supply	220/380/440v – 3ph – 50/60hz
Air Supply	5.6 bar (80 psi)
Element Diameters	up to .630" (16 mm)
Max. Trim Length	38 mm (1")
Min. Element Length	100 mm (4")
Max. Element Length	Any

**LAYOUT SINGLE END TRIM MACHINE**

